

## MULTIHEAD WEIGHING SYSTEMS SERIES 1000

### FACTS

- » Up to 450 weighings per minute in combination mode
- » Up to 540 weighings per minute in dosing mode
- » Portion weights for individual dump: up to 500g
- » Higher weights in large portion or multiple dump mode are possible
- » Maximum accuracy
- » Fully automatic calibration and taring
- » Product-specific equipment
- » Compact, dust and water-repellent design
- » Combining, mixing, counting and dosing applications

### TECHNICAL DATA

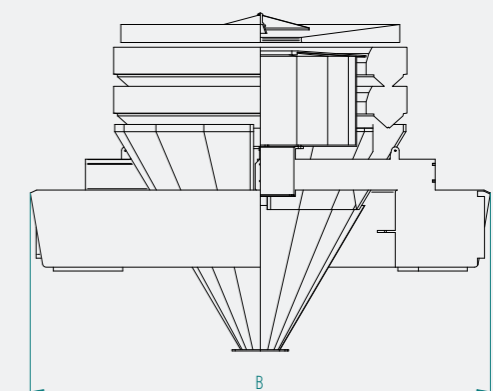
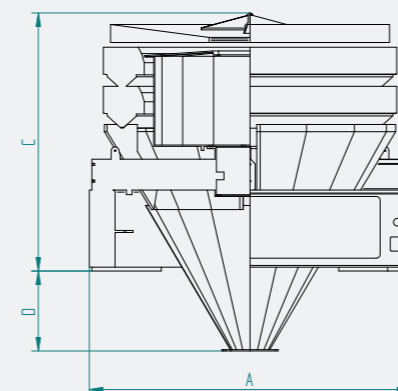
Type	Number of weigh hoppers	Max. theoretical weighings per minute* (depending on product and target weight)
MP 10-1000/400-H	10	85
MP 12-1000/400-H	12	150
MP 14-1000/400-H	14	200
MP 16-1000/400-H	16	200
MP 20-1000/400-H	20	300
MP 22-1000/400-H	22	300
MP 22-1000/400-J	22	300
MP 24-1000/400-H	24	350
MP 30-1000/400-H	30	375
MP 32-1000/400-H	32	400
MP 36-1000/400-H	36	450

\* in combination mode

### MACHINE DIMENSIONS

A	B	C	D for 45°	D for 60°
1000	1116	966	-146	95
1250	1790	983	-50	303
1000	1116	966	-148	95
1250	1790	983	-51	302
1650	2190	1000	49	479
1320	1860	991	19	422
1355	1862	974	50	385
1650	2190	1000	152	660
1750	2290	1010	210	759
1750	2290	1015	235	802
1910	2450	1020	268	872

Subject to change.



**MULTIPOND**



IDEAL FOR WEIGHING  
PORTIONS OF UP TO 500 G