

## MULTIHEAD WEIGHING SYSTEMS SERIES 9600

### FACTS

- » Up to 120 weighings per minute in combination mode
- » Portion weights for individual dump: up to 10.000g
- » Higher weights in large portion or multiple dump mode are possible
- » Maximum accuracy
- » Fully automatic calibration and taring
- » Product-specific equipment
- » Dust and water-repellent design
- » Combining, mixing, counting and dosing applications

### TECHNICAL DATA

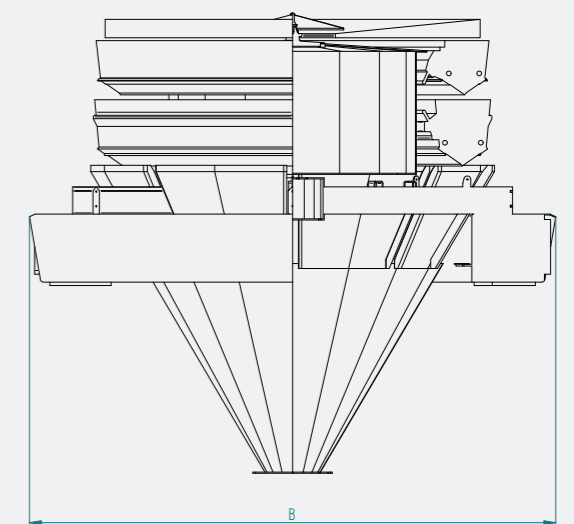
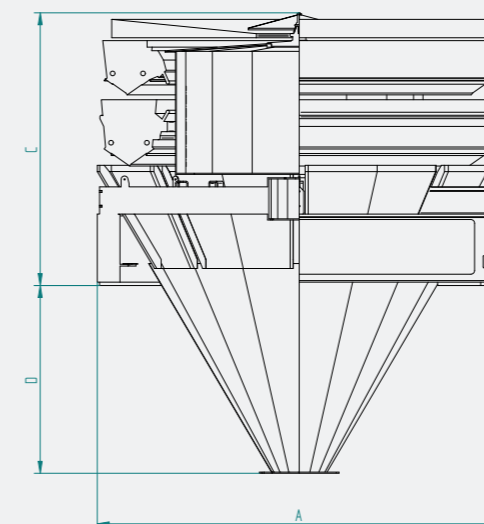
Type	Number of weigh hoppers	Max. theoretical weighings per minute* (depending on product and target weight)
MP 14-9600/2500-H	14	100
MP 16-9600/2500-H	16	120

\* in combination mode

### MACHINE DIMENSIONS

A	B	C	D for 45°	D for 60°
1610	2150	1215	173	663
1780	2320	1205	270	827

Subject to change.



**MULTIPOND**



IDEAL FOR WEIGHING LARGE PORTIONS OF UP TO 10.000 G OR LARGE PRODUCTS SUCH AS IQF FISH FILETS OR IQF CUTLETS