

MULTIHEAD WEIGHING SYSTEMS SERIES 7100

FACTS

- » Up to 140 weighings per minute in combination mode
- » Portion weights for individual dump: up to 7.500g
- » Higher weights in large portion or multiple dump mode are possible
- » Maximum accuracy
- » Fully automatic calibration and taring
- » Product-specific equipment
- » Dust and water-repellent design
- » Combining, mixing, counting and dosing applications

TECHNICAL DATA

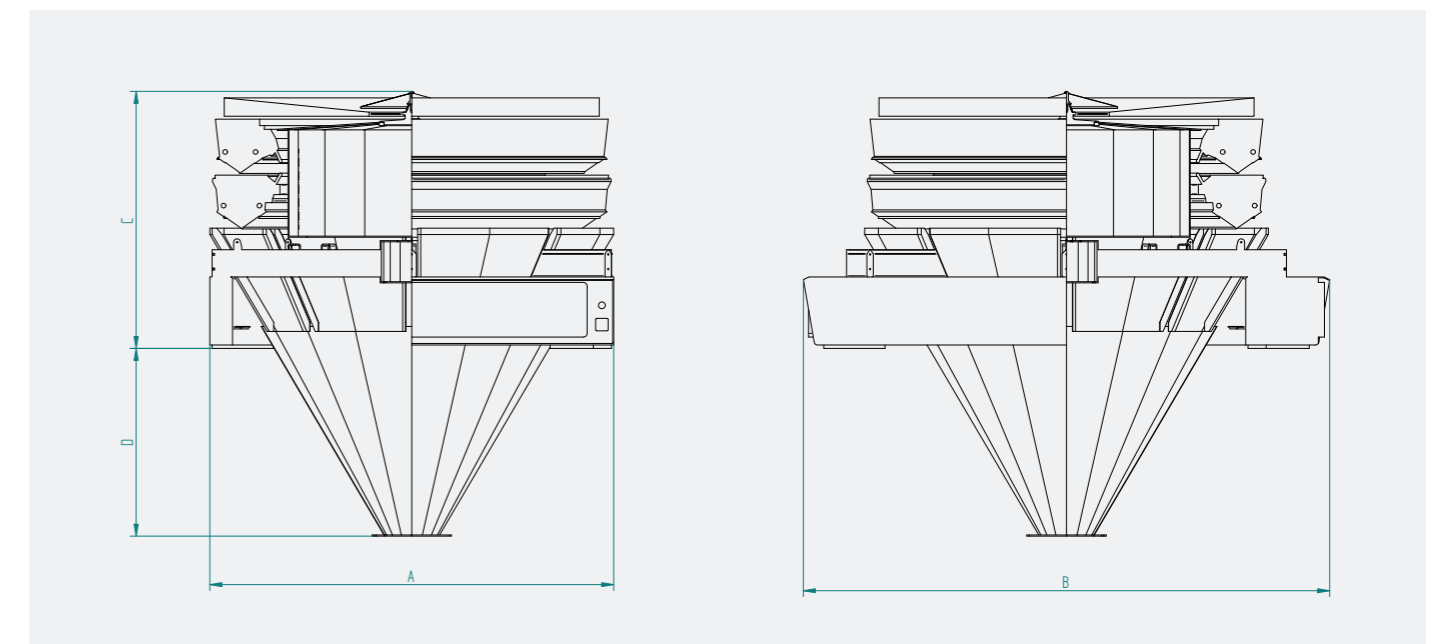
Type	Number of weigh hoppers	Max. theoretical weighings per minute* (depending on product and target weight)
MP 10-7100/2500-H	10	70
MP 14-7100/2500-H	14	110
MP 16-7100/2500-H	16	130
MP 20-7100/2500-H	20	140

* in combination mode

MACHINE DIMENSIONS

A	B	C	D for 45°	D for 60°
1320	1860	1178	18	435
1610	2150	1072	68	669
1780	2320	1072	259	829
2100	2640	1134	420	1064

Subject to change.



IDEAL FOR WEIGHING PORTIONS OF UP TO 7500 G
OR LARGE-VOLUME PRODUCTS SUCH AS SALAD