

MULTIHEAD WEIGHING SYSTEMS SERIES 2400

FACTS

- » Up to 200 weighings per minute in combination mode
- » Up to 300 weighings per minute in dosing mode
- » Portion weights for individual dump: up to 1.500g / 3.000g
- » Higher weights in large portion or multiple dump mode are possible
- » Maximum accuracy
- » Fully automatic calibration and taring
- » Product-specific equipment
- » Dust and water-repellent design
- » Combining, mixing, counting and dosing applications

TECHNICAL DATA

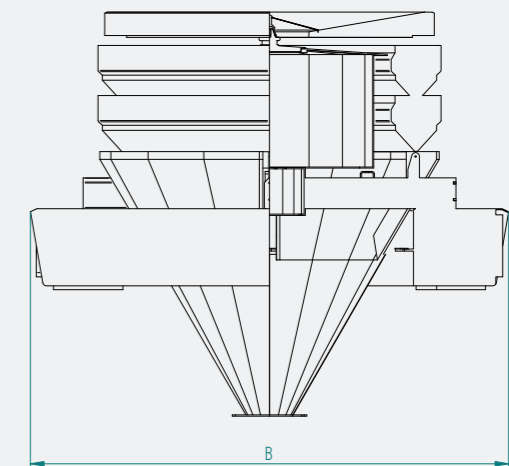
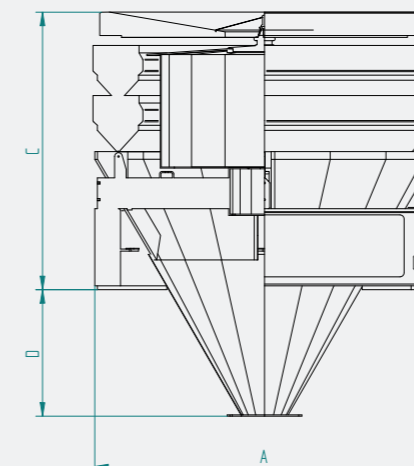
Type	Number of weigh hoppers	Max. theoretical weighings per minute* (depending on product and target weight)
MP 10-2400/1250-H	10	80
MP 10-2400/2500-H	10	80
MP 14-2400/1250-H	14	140
MP 14-2400/2500-H	14	140
MP 16-2400/1250-H	16	160
MP 16-2400/2500-H	16	160
MP 20-2400/1250-H	20	200
MP 20-2400/2500-H	20	200
MP 24-2400/1250-H	24	250
MP 24-2400/2500-H	24	250

* in combination mode

MACHINE DIMENSIONS

A	B	C	D for 45°	D for 60°
1250	1790	1003	25	416
1250	1790	1003	25	416
1250	1790	1003	35	475
1250	1790	1003	35	475
1320	1860	1016	73	505
1320	1860	1016	73	505
1610	2150	1016	183	690
1610	2150	1016	183	690
2020	2560	1086	323	958
2020	2560	1086	323	958

Subject to change.



IDEAL FOR WEIGHING MEDIUM-SIZED PORTIONS OF UP TO 3000 G (E.G. IQF PRODUCTS, PIECES OF MEAT)